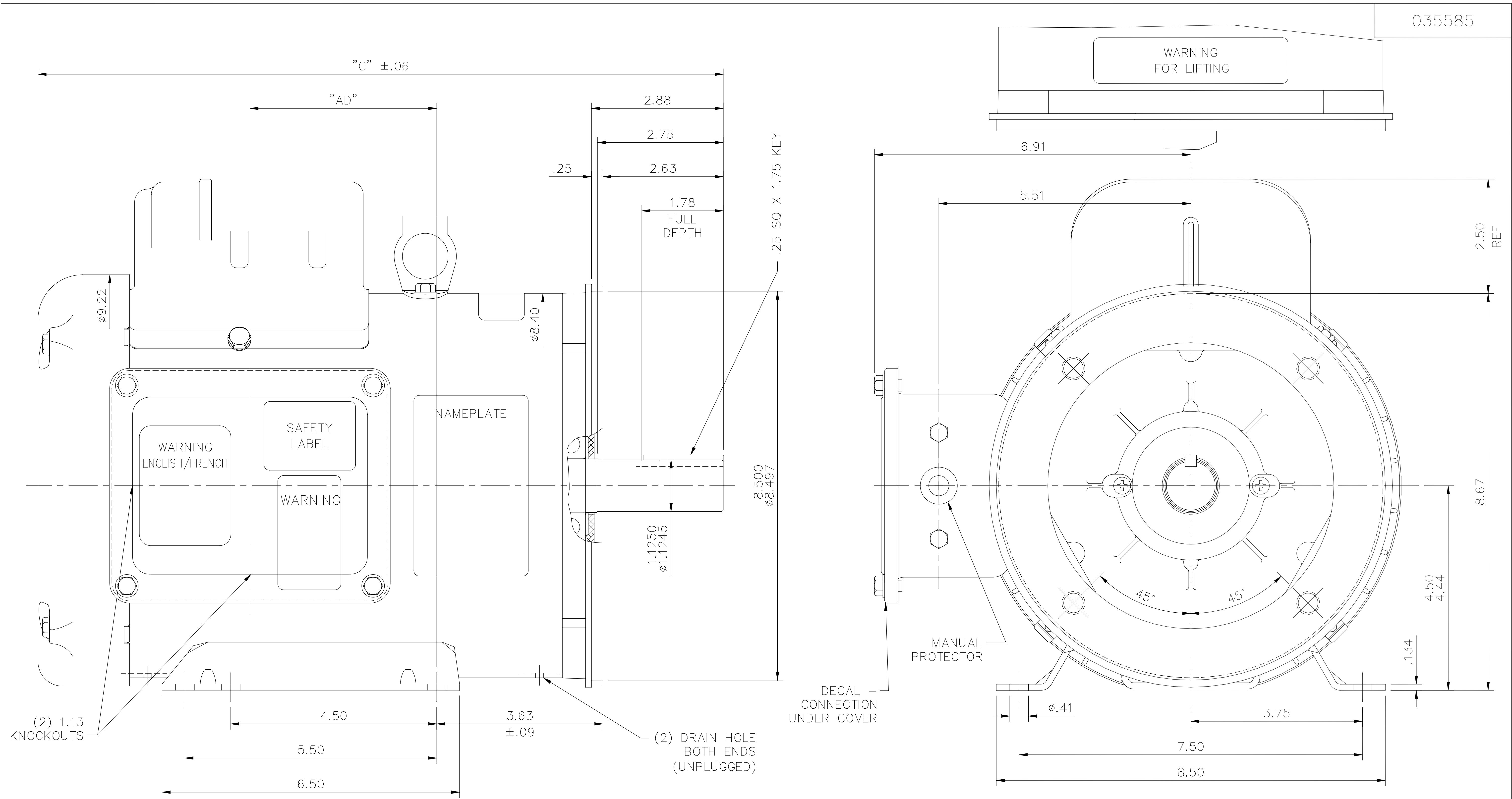


035585



GASKETS THROUGHOUT
 MAXIMUM FACE RUNOUT TO BE .004 T.I.R.
 MAXIMUM PILOT ECCENTRICITY TO BE .004 T.I.R.
 PERMISSIBLE SHAFT RUNOUT TO BE .002 T.I.R.

DASH NO.	"C"	"AD"
950	14.96	4.08
1000	15.46	4.58
1050	15.96	5.08
1100	16.46	5.58
1150	16.96	6.08
1200	17.46	6.58
1250	17.96	7.08
1300	18.46	7.58

		TOLERANCES UNLESS SPECIFIED		REGAL™ Regal Beloit America, Inc.		DRAWN KVN 10/15/2007	
		DEC.	INCHES			CHK	
		.X	±.1	TITLE		APPD	
		.XX	±.03	OUTLINE - 180T FRAME		SCALE	1=2
		.XXX	±.005	TEFC - RIGID "C"		REF	035584
A	DRAIN HOLES ADDED	KIR	02/08/16	SS	.XXXX ±.0005	FMF	184TBFW17032
NO.	REVISION	BY & DATE	CHK	ANG	±1/2'	FINISH	PREV
		THIS DRAWING IN DESIGN AND DETAIL IS OUR PROPERTY AND MUST NOT BE USED EXCEPT IN CONNECTION WITH OUR WORK ALL RIGHTS OF DESIGN AND INVENTION ARE RESERVED THIS IS AN ELECTRONICALLY GENERATED DOCUMENT - DO NOT SCALE THIS PRINT		RFP		CAD FILE	035585
				DIST	NLV	SIZE	DRAWING NO.
						B	035585
						REV. A	